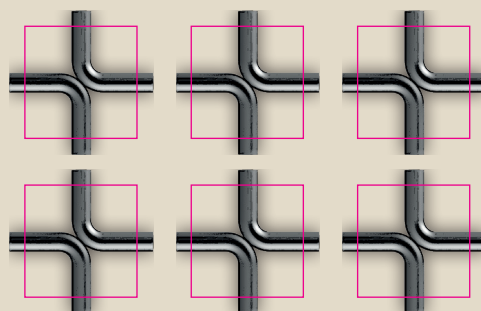
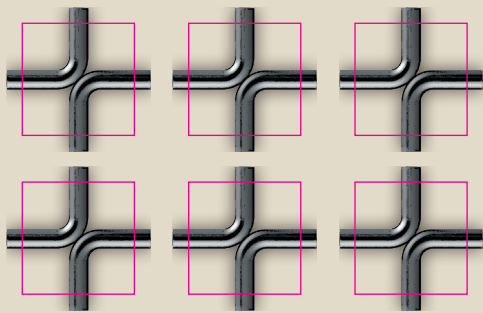


GARDEN



	Position		Line of sight
Hakim	3	5	Fountain
Selim	4	8	Kiosk



Escape from the garden unnoticed via 1 of the 6 gates by swapping the instruction signs around.

At this time, there are 2 guards in the garden. Guards always carefully follow up the instructions from the large board on the wall showing information about their position and line of sight. The instructions are changed regularly by replacing the 6 signs. Guards only look straight ahead to the object in their line of sight.

Change the guards' position and line of sight by swapping the signs around. But make sure they don't get suspicious: guards never directly face a wall, a bush or a kiosk – there is always a minimum distance of 1 tile in between.